



Andy Beshear  
GOVERNOR

## TRANSPORTATION CABINET

200 Mero Street  
Frankfort, Kentucky 40601

Jim Gray  
SECRETARY

March 15, 2024

CALL NO. 314  
CONTRACT ID NO. 241006  
ADDENDUM # 1

Subject: Hopkins County, FD04 054 0254 000-001  
Letting March 21, 2024

- (1) Revised - Typical Section - Pages 14-17 of 194
- (2) Revised - Cross Sections - Pages 51 & 94-103 of 194
- (3) Revised - Proposal Bid Items - Page 193-194 of 194

Proposal revisions are available at <http://transportation.ky.gov/Construction-Procurement/>.

If you have any questions, please contact us at 502-564-3500.

Sincerely,

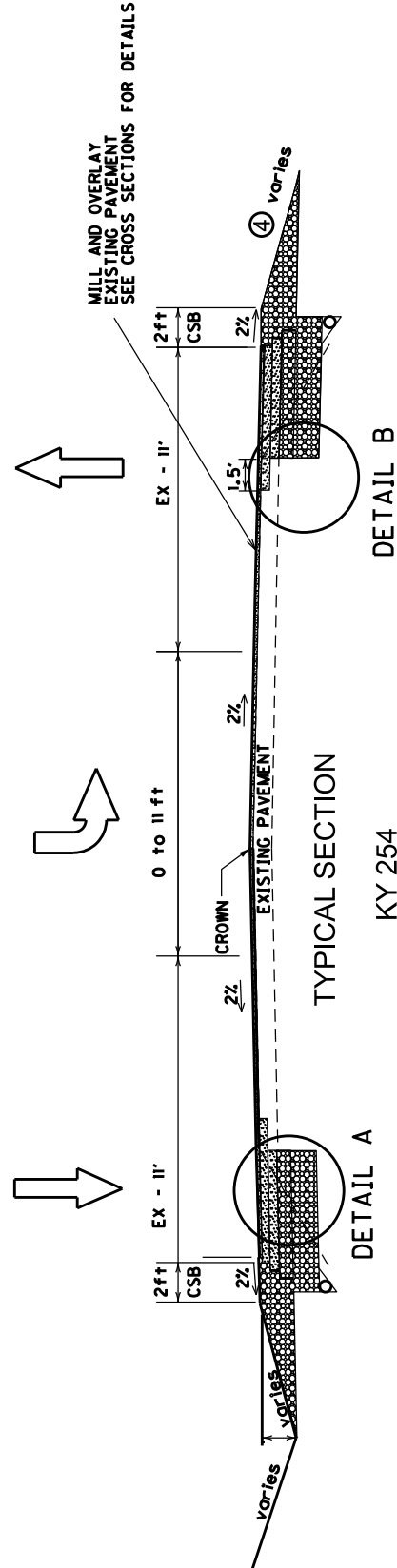
Rachel Mills,

A handwritten signature in black ink that reads "Rachel Mills".

Rachel Mills, P.E.  
Director  
Division of Construction Procurement

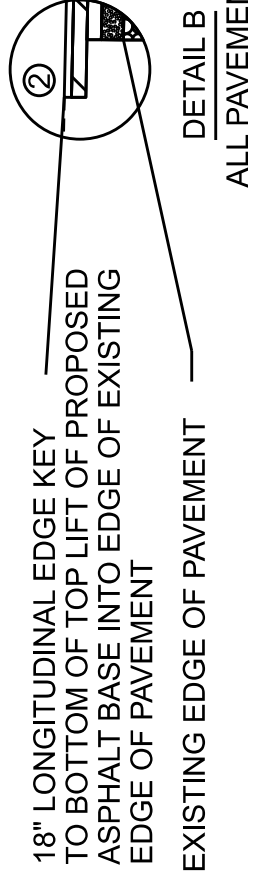
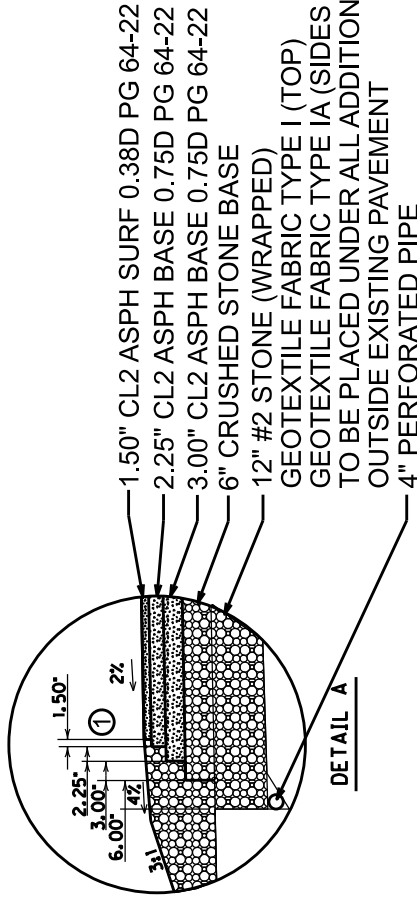
RM:mr  
Enclosures

# TYPICAL SECTIONS



KY 254  
STA 110+30 TO 118+00  
FULL DEPTH CONSTRUCTION  
(OVERLAY ONLY STA 118+00 TO STA 119+20)

- NOTES**
- ① PAVEMENT LAYERS ARE TO STEP OUT HORIZONTALLY EQUAL TO THE THICKNESS OF THE LAYER ABOVE
  - ② FIELD VERIFY LOCATION OF EXISTING EDGE OF PAVEMENT EDGE KEY MUST BE PLACED OVER EXISTING FULL DEPTH PAVEMENT
  - ③ ASPHALT SEAL COAT REQUIRED FROM OUTSIDE EDGE OF PAVED SHOULDER TO A POINT 2' DOWN THE DITCH OR FILL SLOPE  
2.4 LB/SY ASPHALT SEAL COAT (TWO APPLICATIONS)  
20 LB/SY ASPHALT SEAL AGGREGATE (TWO APPLICATIONS)
  - ④ SEE CROSS SECTIONS FOR SLOPES OUTSIDE THE LIMITS OF SHOULDERS.

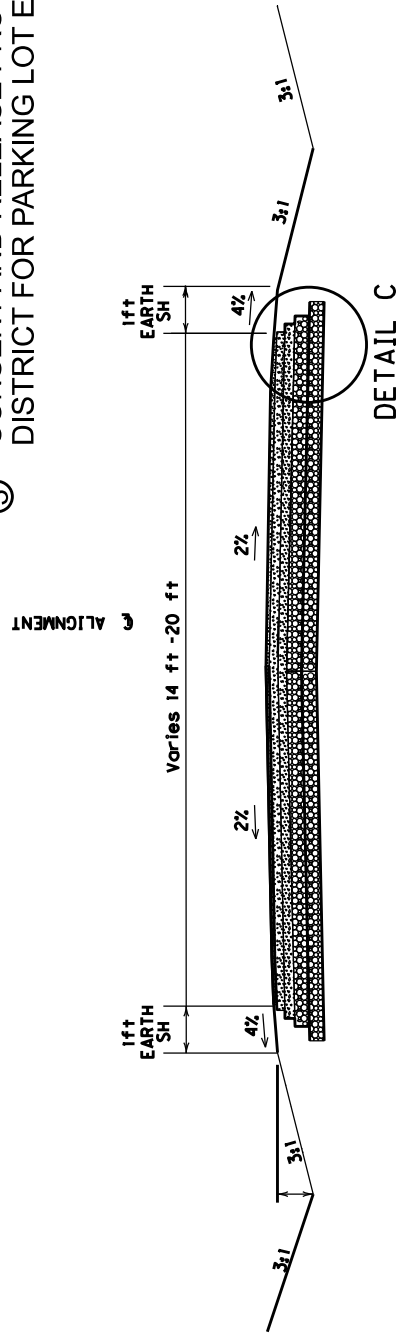


<p>COMMONWEALTH OF KENTUCKY DEPARTMENT OF HIGHWAYS</p>	<p>TYPICAL SECTIONS HOPKINS COUNTY-JAMES MADISON MIDDLE SCHOOL KY 254 TURN LANE WIDENING</p>	<p>HORIZONTAL SCALE: 1" = N/A</p>	<p>COUNTY OF HOPKINS</p> <p>ITEM NO. 2-9017.00</p> <p>SHEET NO. R2</p>
--	--	-----------------------------------	--

# TYPICAL SECTIONS

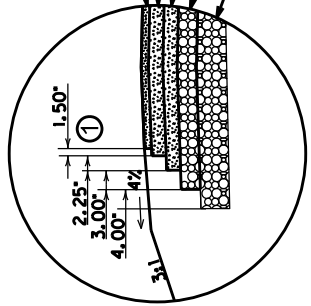
## NOTES

- ① PAVEMENT LAYERS ARE TO STEP OUT HORIZONTALLY EQUAL TO THE THICKNESS OF THE LAYER ABOVE
- ② SEE CROSS SECTIONS FOR SLOPES OUTSIDE THE LIMITS OF THE SHOULDERS.
- ③ CONSENT AND RELEASE PROVIDED BY THE SCHOOL DISTRICT FOR PARKING LOT EXTENSION.

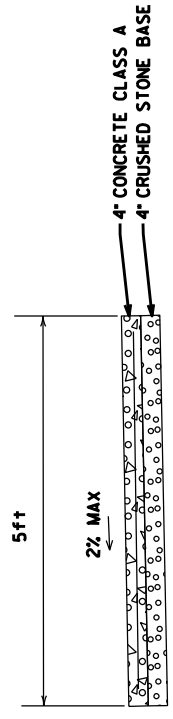


TYPICAL SECTION

PARKING LOT EXTENSION  
 STA 200+00 TO STA 206+88.38  
 FULL DEPTH CONSTRUCTION



DETAIL C



TYPICAL SECTION

SIDEWALK

STA 113+76 TO STA 136+07.60

PARKING LOT EXTENSION / SIDEWALK CONSTRUCTION



COMMONWEALTH OF KENTUCKY  
 DEPARTMENT OF HIGHWAYS

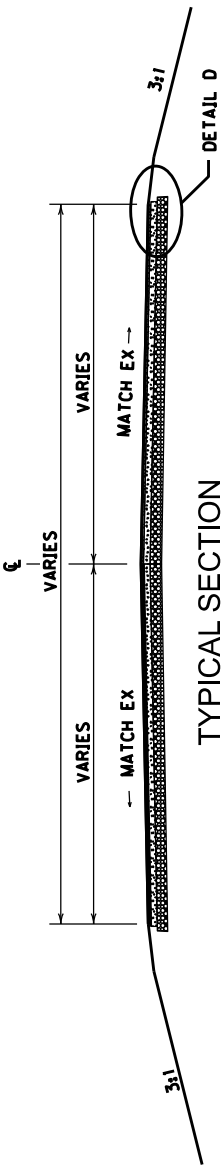


TYPICAL SECTIONS  
 HOPKINS COUNTY - JAMES MADISON MIDDLE SCHOOL  
 PARKING LOT EXTENSION / SIDEWALK CONSTRUCTION

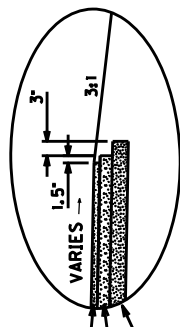


ITEM NO. 2-9017.00	COUNTY OF HOPKINS
SHEET NO.	R2A

# TYPICAL SECTIONS

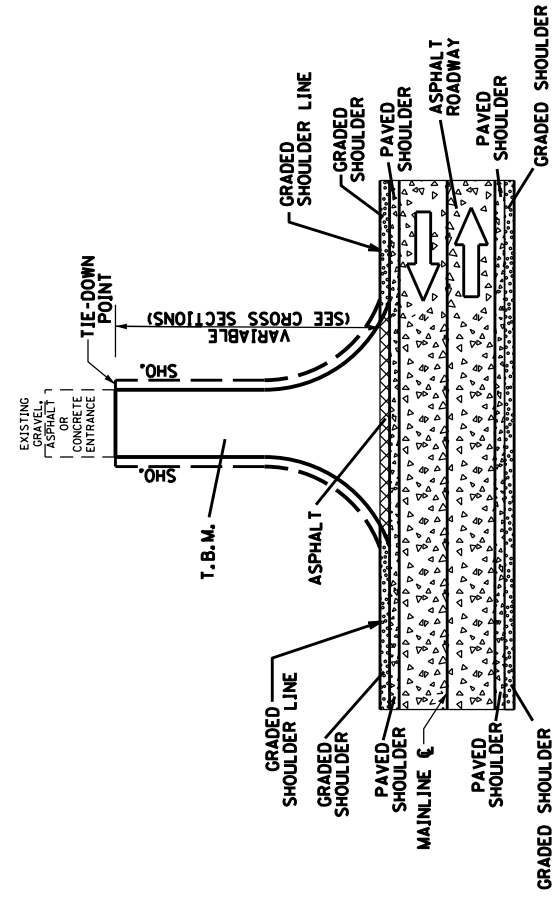


TYPICAL SECTION  
ENTRANCE TYPICAL  
TO APPLY STA 115+48.50 LT AND STA 117+09.41 RT  
(ALL OTHER ENTRANCES OVERLAY ONLY)



- 1.50" CL2 ASPH SURF 0.38D PG 64-22
- 3.00" CL2 ASPH BASE 0.75D PG 64-22
- 4" CRUSHED STONE BASE

DETAIL D



APPROACH ROAD / ENTRANCE PAVING DETAIL

COUNTY OF HOPKINS
ITEM NO. 2-9017.00
SHEET NO. R2B



TYPICAL SECTIONS  
HOPKINS COUNTY-JAMES MADISON MIDDLE SCHOOL  
ENTRANCE CONSTRUCTION



COMMONWEALTH OF KENTUCKY  
DEPARTMENT OF HIGHWAYS



SUMMARY OF QUANTITIES

ITEM	DESCRIPTION	UNIT	KY 254	PARKING LOT EXTENSION	TOTAL PROJECT
00078	CRUSHED AGGREGATE SIZE NO 2	TON	555		555
02000	ROADWAY EXCAVATION	CUYD	957	815	1772
02545	CLEARING AND GRUBBING (1.5 ACRES)	LS	1	1	1
02562	TEMPORARY SIGNS	SF	400	400	400
02569	DEMOBILIZATION	LS	1	1	1
02602	FABRIC-GEOTEXTILE CLASS 1	SQ.YD	815	1480	2295
02604	FABRIC-GEOTEXTILE CLASS 1A	SQ.YD	1125	1571	2696
02611	HANDRAIL-TYPE A-1	LF	15	15	15
02650	MAINTAIN AND CONTROL TRAFFIC	LS	1	1	1
02671	PORTABLE CHANGEABLE MESSAGE SIGN	EACH	2	2	2
02676	MOBILIZATION FOR MILL & TEXT	LS	1	1	1
02677	ASPHALT PAVE MILLING & TEXTURING	TON	115	115	115
02701	TEMP SILT FENCE	LF	770	688	1458
02703	SILT TRAP TYPE A	EACH	2	2	2
02704	SILT TRAP TYPE B	EACH	2	2	2
02705	SILT TRAP TYPE C	EACH	2	2	2
02706	CLEAN SILT TRAP TYPE A	EACH	2	2	2
02707	CLEAN SILT TRAP TYPE B	EACH	2	2	2
02708	CLEAN SILT TRAP TYPE C	EACH	2	2	2
02720	SIDEWALK-4-IN CONCRETE	SQ.YD	1111	1111	1111
02726	STAKING	LS	1	1	1
05950	EROSION CONTROL BLANKET	SQ.YD	947	947	1342
05952	TEMPORARY MULCH	SQ.YD	1450	2600	4050
05953	TEMP SEEDING AND PROTECTION	SQ.YD	1100	1950	3050
05963	INITIAL FERTILIZER	TON	0.05	0.15	0.20
05964	MAINTENANCE FERTILIZER	TON	0.03	0.09	0.12
05985	SEEDING AND PROTECTION	SQ.YD	275	1100	1375
05992	AGRICULTURAL LIMESTONE	TON	0.50	1	1.50
06569	PAVE MARKING-THERMO CROSS-HATCH	SQ.FT	241	241	241
06574	PAVE MARKING - THERMO CURVE ARROW	EACH	2	2	2
21289ED	LONGITUDINAL EDGE KEY	LF	1540	73	1613
24401EC	DURABLE WATERBORNE MARKING - 4 IN W	LF	100	100	2464
24402EC	DURABLE WATERBORNE MARKING - 4 IN Y	LF	2464	100	100
02220	FLOWABLE FILL	CUYD	3	3	3
01876	STANDARD HEADER CURB TYPE 2 (MOD)	LF	36.1	36.1	36.1
00071	CRUSHED AGGREGATE SIZE NO 57	TON		10	10

ITEM CODE	ITEM	UNIT	KY 254	Parking Lot Extension	TOTAL PROJECT
00301	CL 2 ASPH SURF 0.38D PG 64-22	TONS	250	100	350
00221	CL 2 ASPH BASE 0.75D PG 64-22	TONS	245	335	580
00003	CRUSHED STONE BASE	TONS	515	295	810
00003	CRUSHED STONE BASE (SHOULDERS)	TONS	325		325
00003	CRUSHED STONE BASE (WRAPPED)	TONS		470	470
2497DEC	ASPHALT MATERIAL FOR TACK NON-TRACKING	TONS	1.28	0.84	2.12
00103	ASPHALT SEAL COAT	TONS	1.50		1.50
00100	ASPHALT SEAL AGGREGATE	TONS	11.0		11.0
00190	LEVELING & WEDGING PG 64-22	TONS	30		30

STATION	SKEW	DESIGN PH LEVEL	COVER HEIGHT	ENTRANCE PIPE 15 IN	CULVERT PIPE 15 IN	CULVERT PIPE 18 IN	CULVERT PIPE 30 IN	REMOVE PIPE	JUNCTION BOX 18 IN	PIPE CULVERT HEADWALL - 30 IN	PIPE CULVERT HEADWALL - 18 IN	SLOPED & MITERED CONC HEADWALL 15"	REMOVE HEADWALL
ITEM CODE				00440	00461	00462	00486	1310	01642	01210	01204	26130ED	02625
LINEAR FEET													
UNIT TO BID													
R6	115+48.50 LT	M		56									
R7	117+08.41 RT	M		32									
R7	118+89	M				44	32			2			2
R10	123+78	M				14			1				
R15	200+31	M				35							
R17	206+00	M				66							
PROJECT TOTAL				88	101	14	44	32	1	2	1	4	2

DRAINAGE SUMMARY NOTES:

IF A PIPE COLLAR OR BEND CONNECTION IS NEEDED FOR CONSTRUCTION, IT SHALL BE CONSIDERED INCIDENTAL TO THE COST OF THE PIPE BEING CONSTRUCTED.  
 GEOTEXTILE FABRIC CLASS 2 INCIDENTAL TO CULVERT PIPE  
 FLOWABLE FILL TO BE USED FOR COVER ABOVE ALL ENTRANCE PIPES.

PAVING SUMMARY NOTES:

ALL ASPHALT MIXTURES SHALL BE ESTIMATED AT 1.98 TONS PER CU. YD. OTHERWISE.

GENERAL SUMMARY NOTES:

- ① APPROXIMATELY 1.5 ACRES
- ② QUANTITIES ARE APPROXIMATE AND ARE FOR INFORMATION ONLY:  
 KY 254 WIDENING/ SIDEWALK: 957 CU YDS TOTAL  
 COMB: 75 CU YDS TOTAL  
 PARKING LOT EXTENSION: 815 CU YDS TOTAL  
 EMB: 95 CU YDS TOTAL
- ③ WATER SHALL BE INCIDENTAL TO MAINTAIN AND CONTROL TRAFFIC
- ④ TO BE USED FOR LATERAL DRAIN. SEE CROSS SECTIONS FOR LOCATIONS. CONSTRUCTION PER SECTION 209.03.02 (A) OF THE STANDARD SPECIFICATIONS. GEOTEXTILE FABRIC INCIDENTAL TO CRUSHED AGGREGATE SIZE NO 57. GEOTEXTILE FABRIC TYPE I SHALL BE USED BETWEEN THE INTERFACE OF THE GRANULAR EMBANKMENT AND SOIL.

STATION	PERF PIPE 4 IN	NON PERF PIPE 4 IN	PERF PIPE 4 IN	PERF PIPE 4 IN	PERF PIPE HEADWALL TYPE 2 4 IN	PERF PIPE HEADWALL TYPE 4 4 IN
ITEM CODE	01000	01010	01024	01032	EACH	
LINEAR FEET						
R6/R7	110+60-115+20 LT	460	8			
R5	110+60 - 113+00 RT	240	8			
R7	115+20 LT			1		
R5	113+00 RT				1	1
PROJECT TOTAL		700	16	1	1	1

GENERAL NOTES  
 KY 254-JAMES MADISON MIDDLE SCHOOL  
 TURN LANE, SIDEWALK, AND PARKING LOT EXTENSION

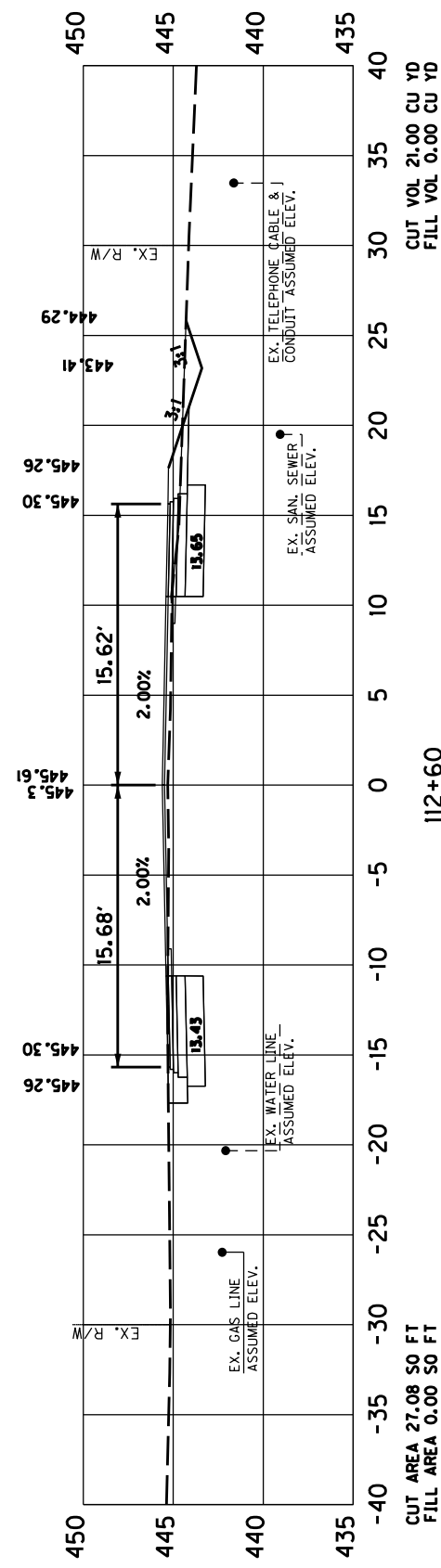
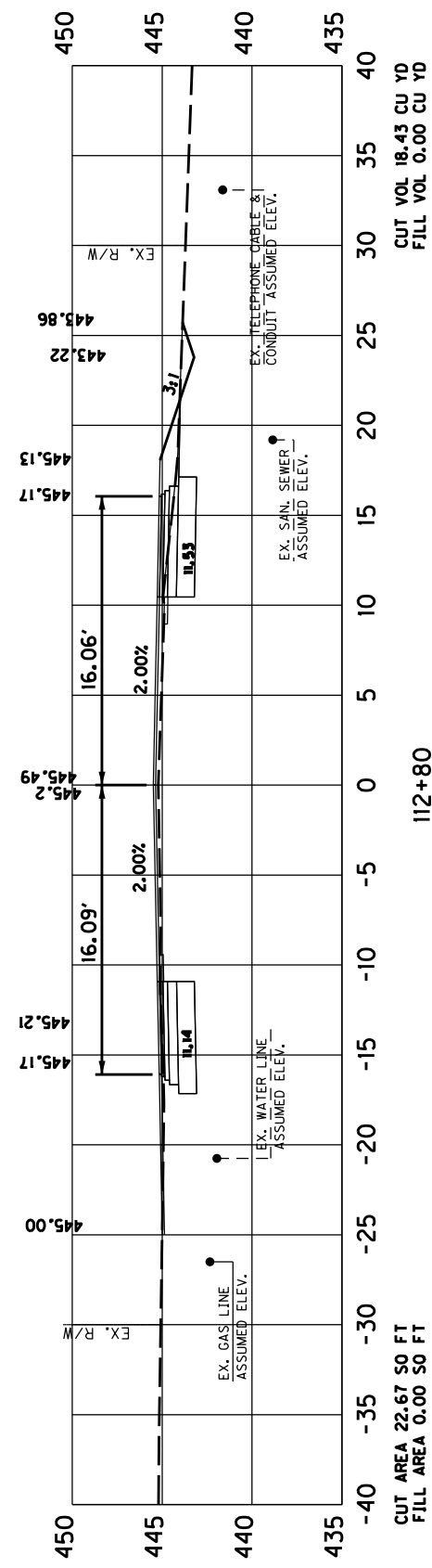
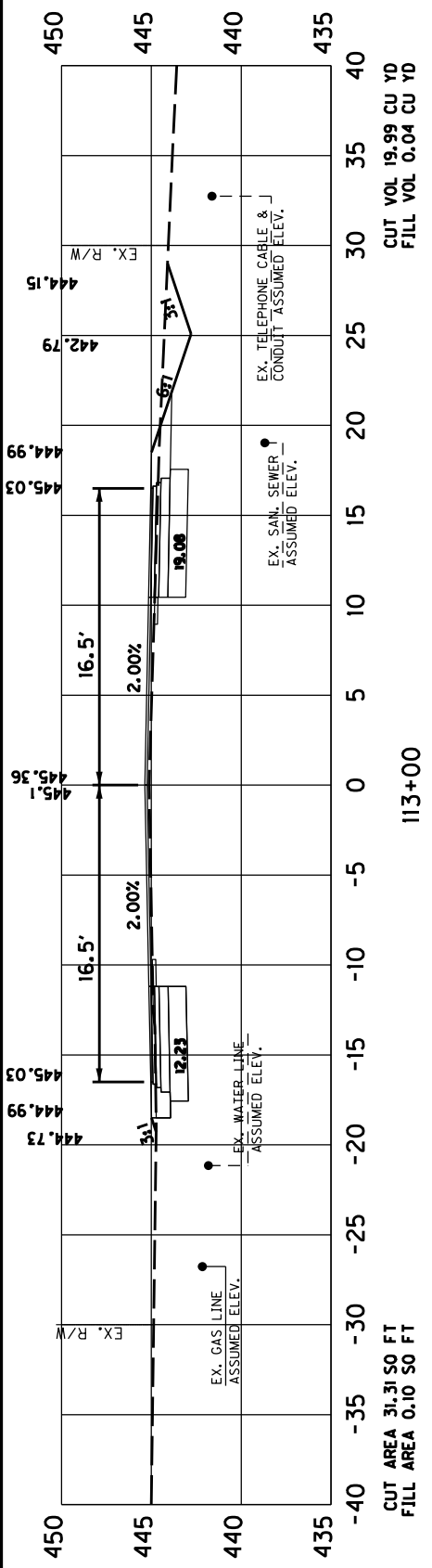
COMMONWEALTH OF KENTUCKY  
 DEPARTMENT OF HIGHWAYS

ITEM NO. 2-9017.00  
 SHEET NO. R2C

HOPKINS COUNTY

HORIZONTAL SCALE: 1" = N/A





COMMONWEALTH OF KENTUCKY  
DEPARTMENT OF HIGHWAYS

KENTUCKY TRANSPORTATION CABINET

X-SECTION SHEET - KY 254

COUNTY OF HOPKINS

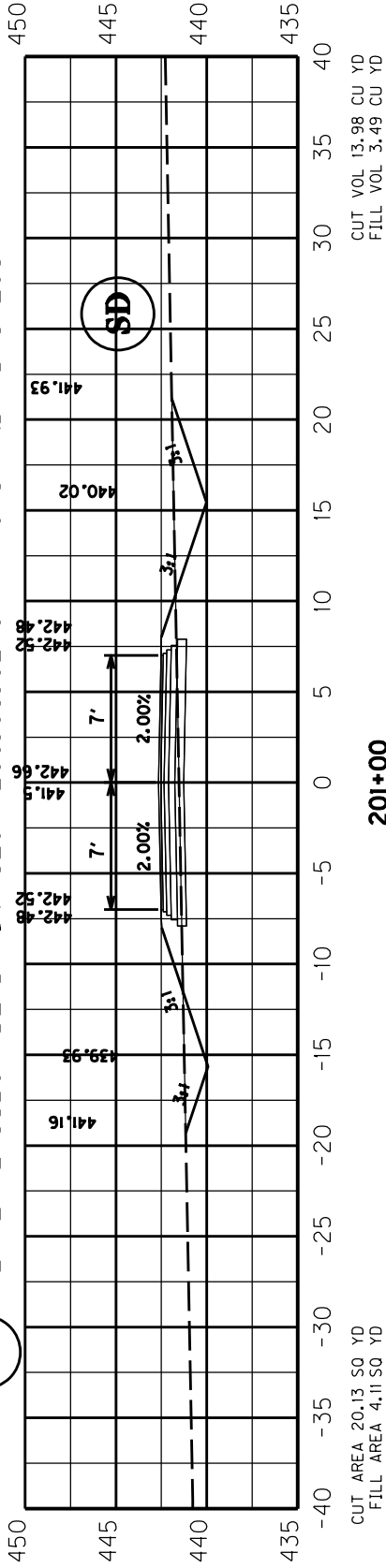
ITEM NO. 2-9017.00

SHEET NO. X5

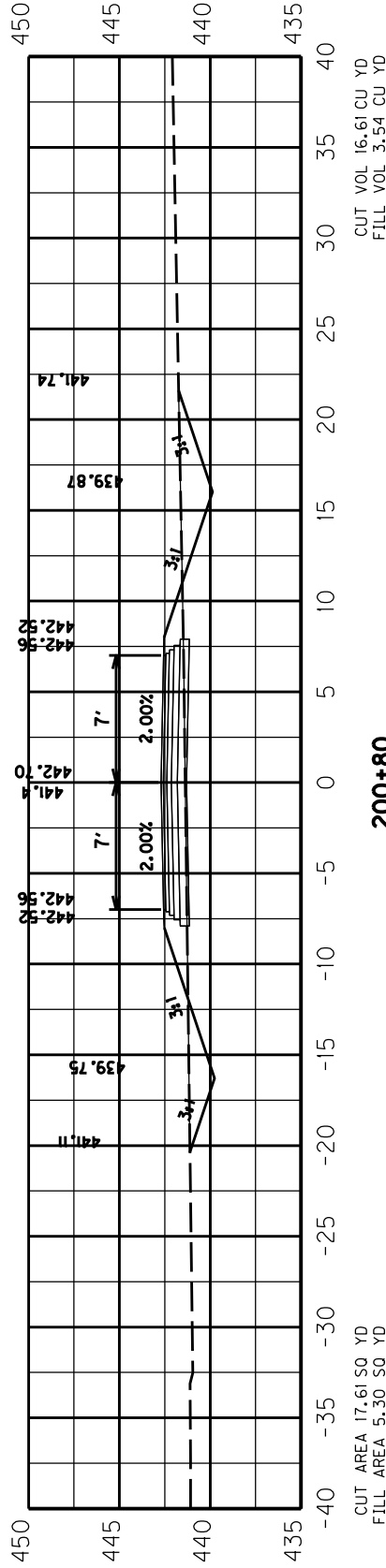
0' 5' 10' 20'

HOR. AND VER. SCALE: 1"=5'

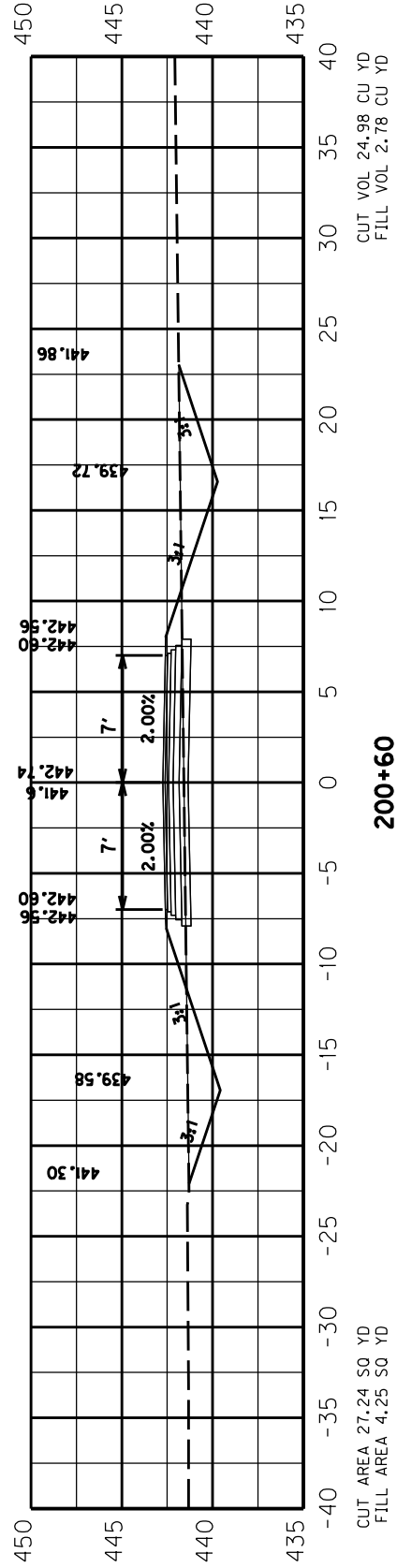
**SD** = LATERAL SUBGRADE DRAIN (SECT 209.03.02 OF KYTC STANDARD SPECS)



**201+00**



**200+80**



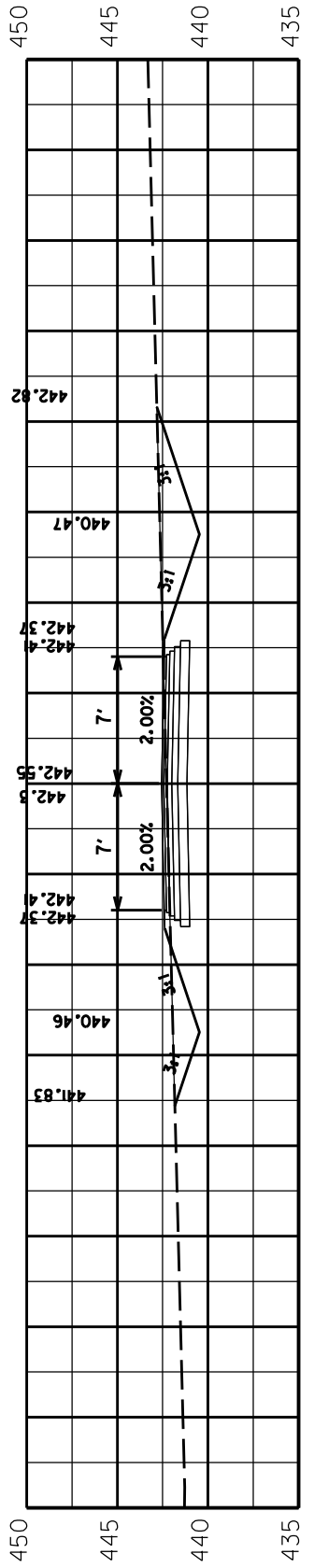
**200+60**

COMMONWEALTH OF KENTUCKY  
DEPARTMENT OF HIGHWAYS

X-SECTION SHEET - JAMES MADISON LOOP

ITEM NO. 2-9017.00  
SHEET NO. X48

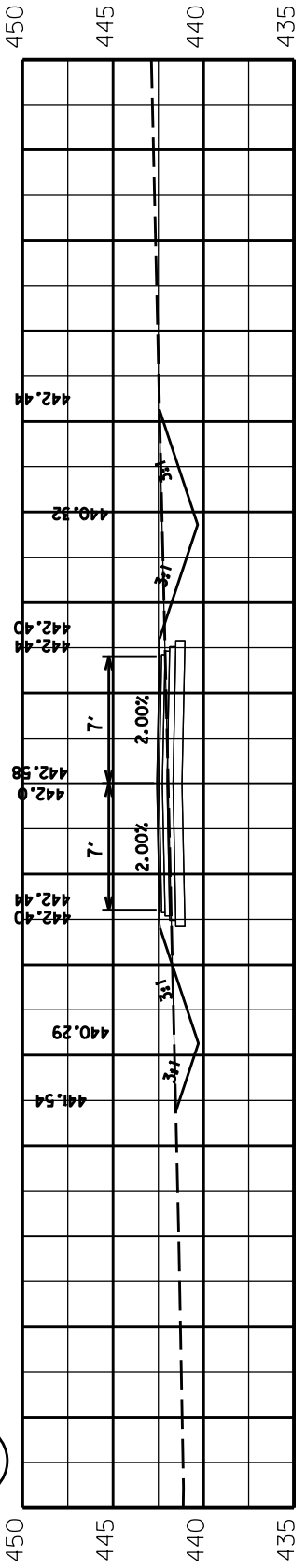
5' 10' 20'  
HOR. AND VER. SCALE: 1"=5'



CUT VOL 25.60 CU YD  
FILL VOL 0.72 CU YD

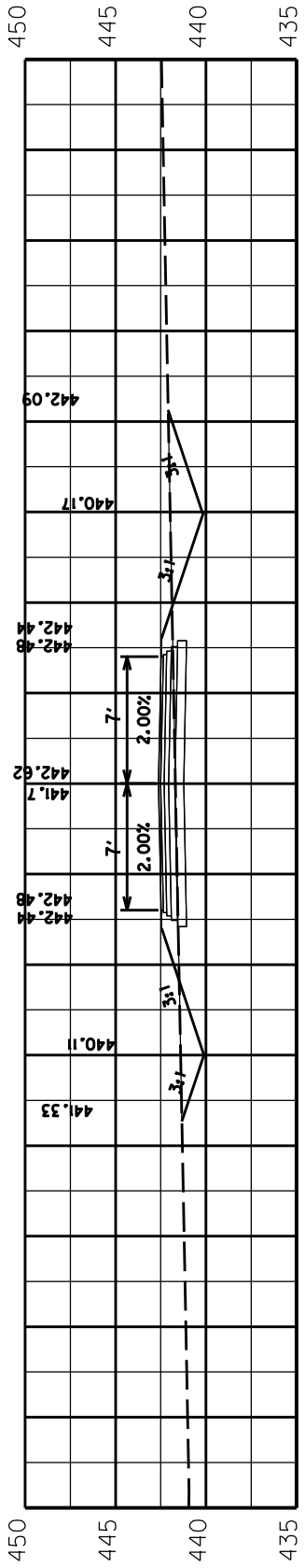
201+60

**SD** 201+50-LEFT LATERAL SUBGRADE DRAIN



CUT VOL 19.79 CU YD  
FILL VOL 1.65 CU YD

201+40



CUT VOL 16.08 CU YD  
FILL VOL 2.61 CU YD

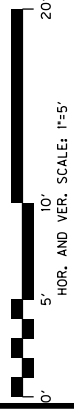
201+20



COMMONWEALTH OF KENTUCKY  
DEPARTMENT OF HIGHWAYS



X-SECTION SHEET - JAMES MADISON LOOP

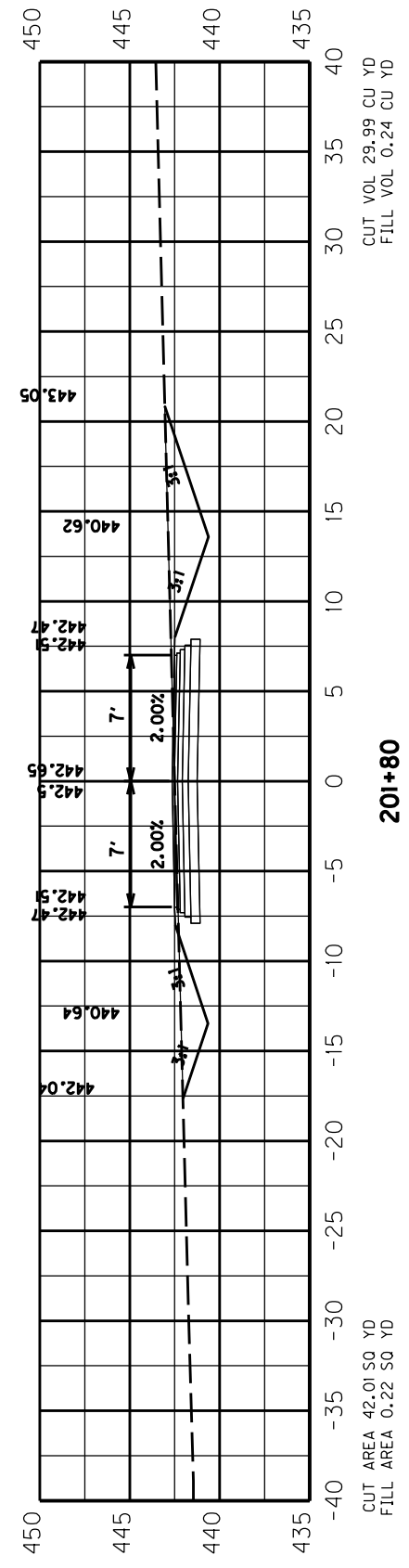
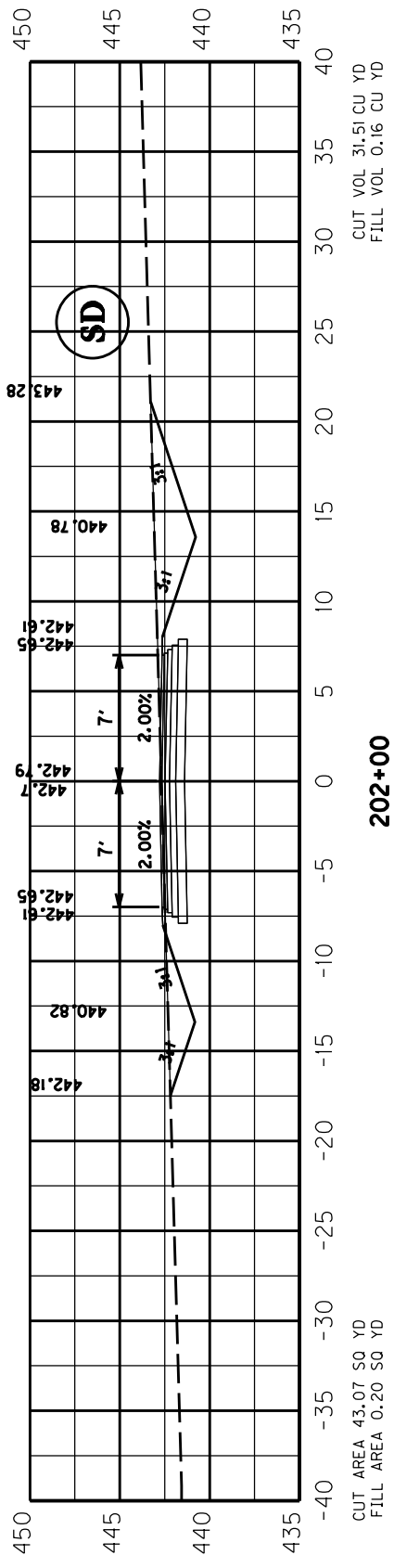
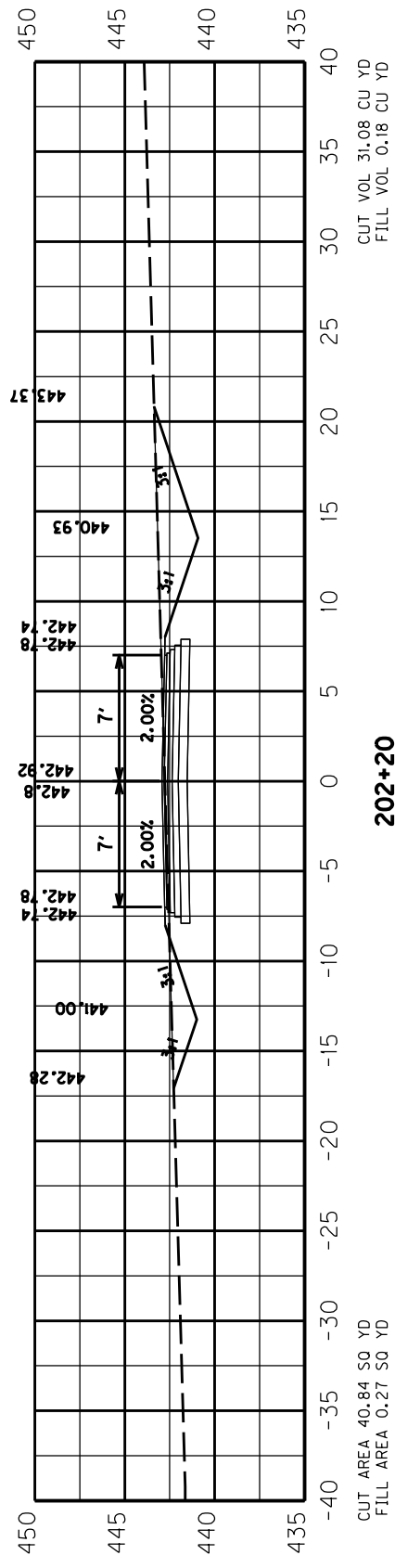


ITEM NO.  
2-9017.00  
SHEET NO.  
20

COUNTY OF  
HOPKINS

X49





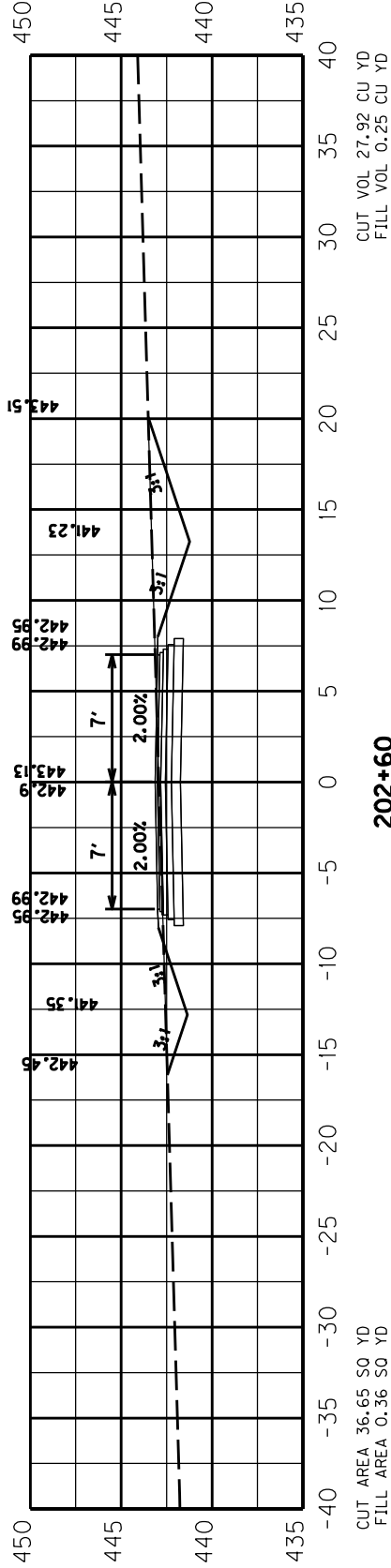
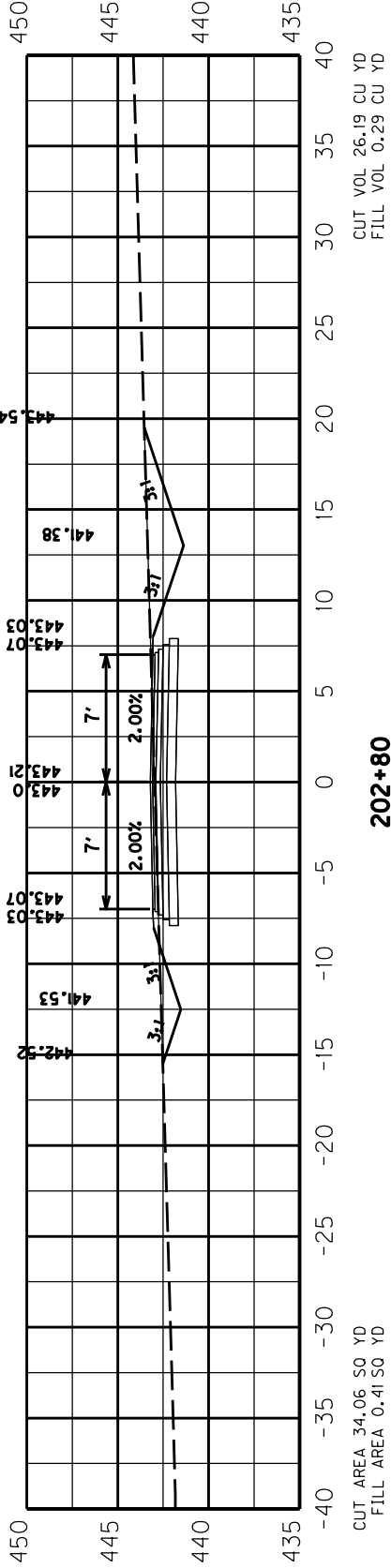
COMMONWEALTH OF KENTUCKY  
DEPARTMENT OF HIGHWAYS

X-SECTION SHEET - JAMES MADISON LOOP

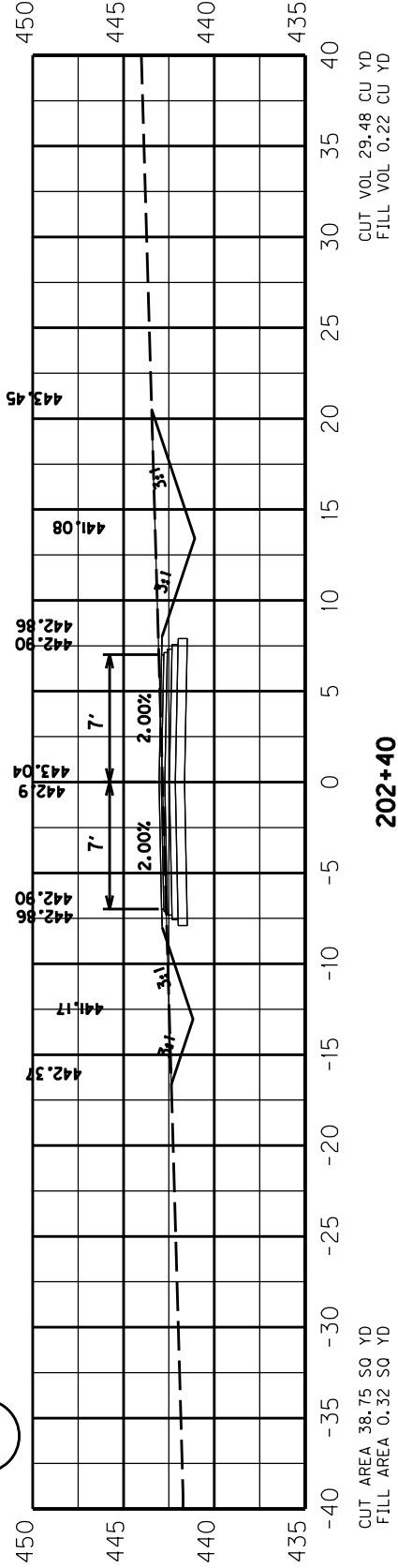
ITEM NO. 2-9017.00  
SHEET NO. 20

COUNTY OF HOPKINS  
X50

5' 10' 20'  
HOR. AND VER. SCALE: 1"=5'



**SD** 202+50-LEFT LATERAL SUBGRADE DRAIN



COMMONWEALTH OF KENTUCKY  
DEPARTMENT OF HIGHWAYS

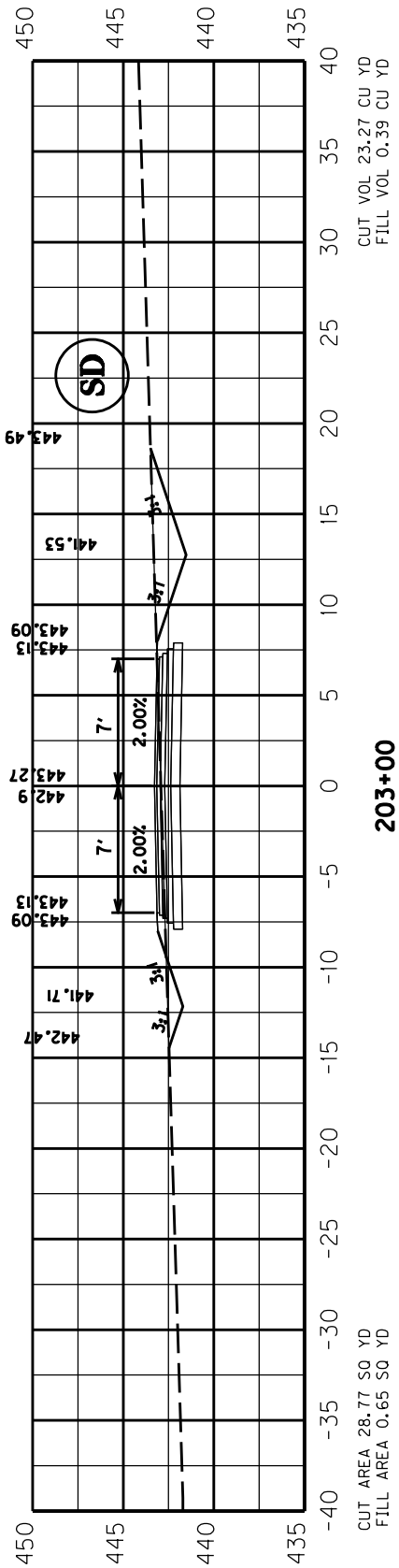
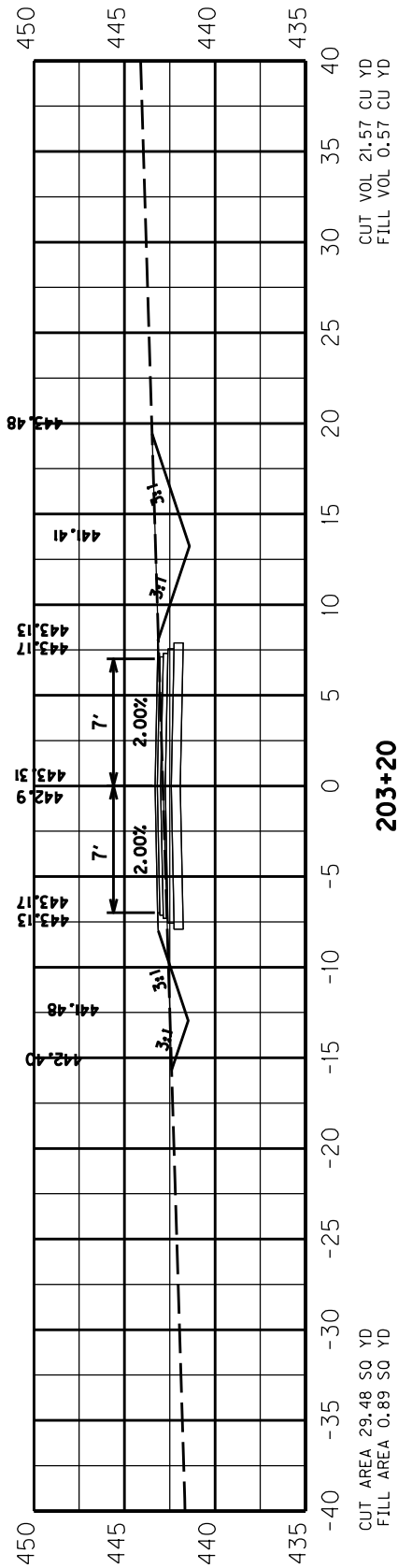
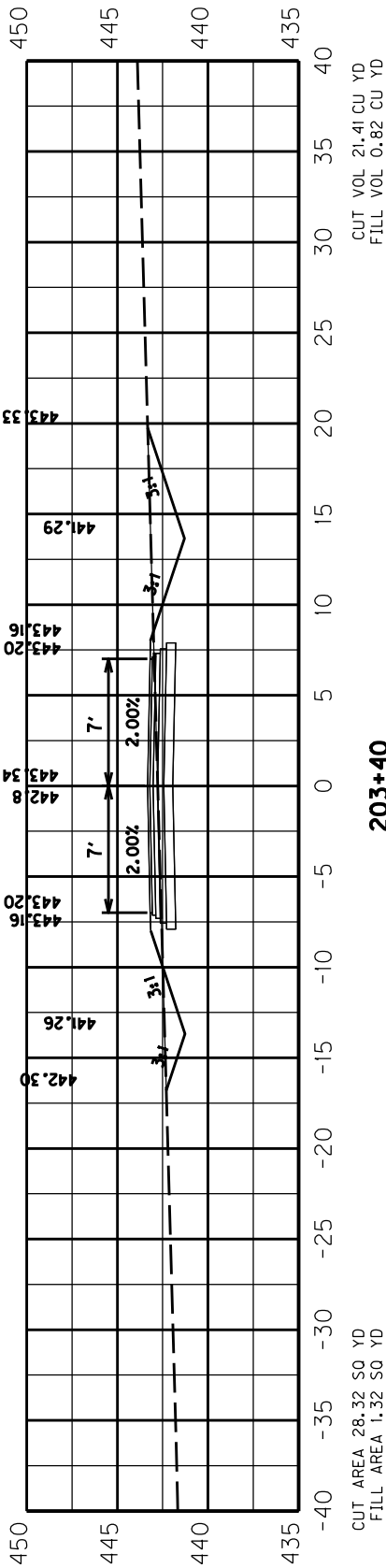
X-SECTION SHEET - JAMES MADISON LOOP

DATE: 08/07/2024

ITEM NO. 2-9017.00  
SHEET NO. 20

COUNTY OF HOPKINS  
X51

0' 5' 10' 20'  
HOR. AND VER. SCALE: 1"=5'



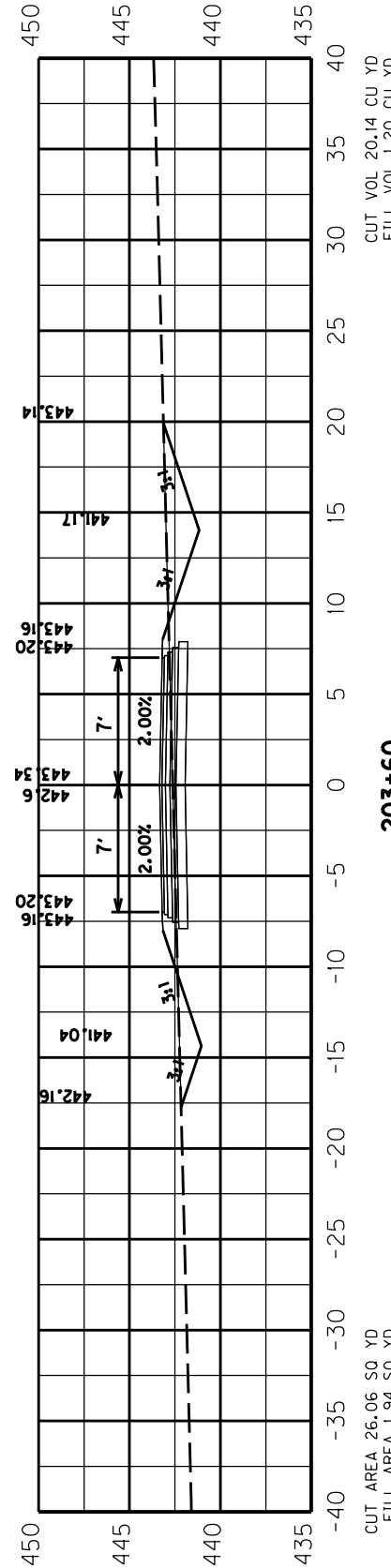
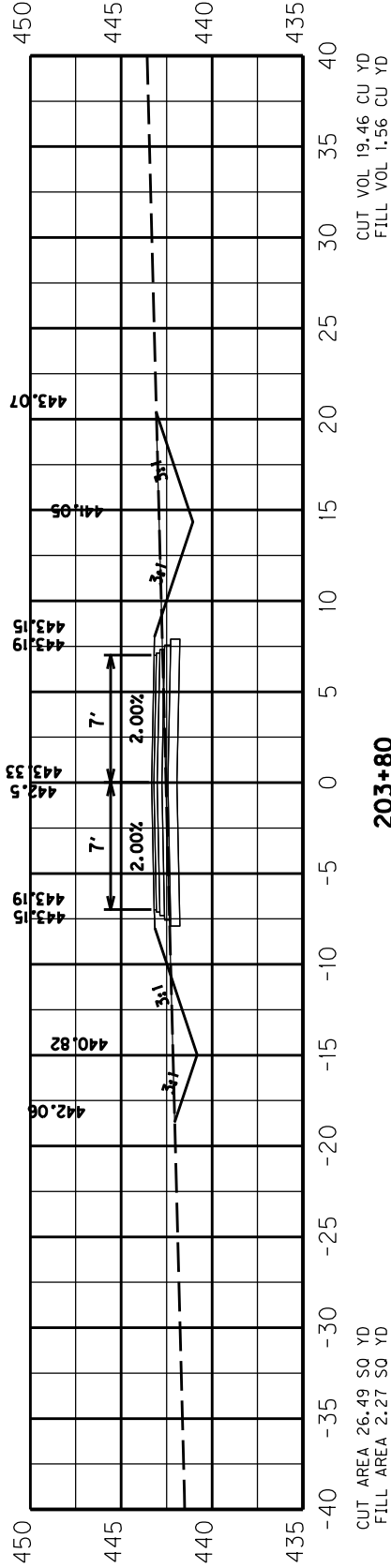
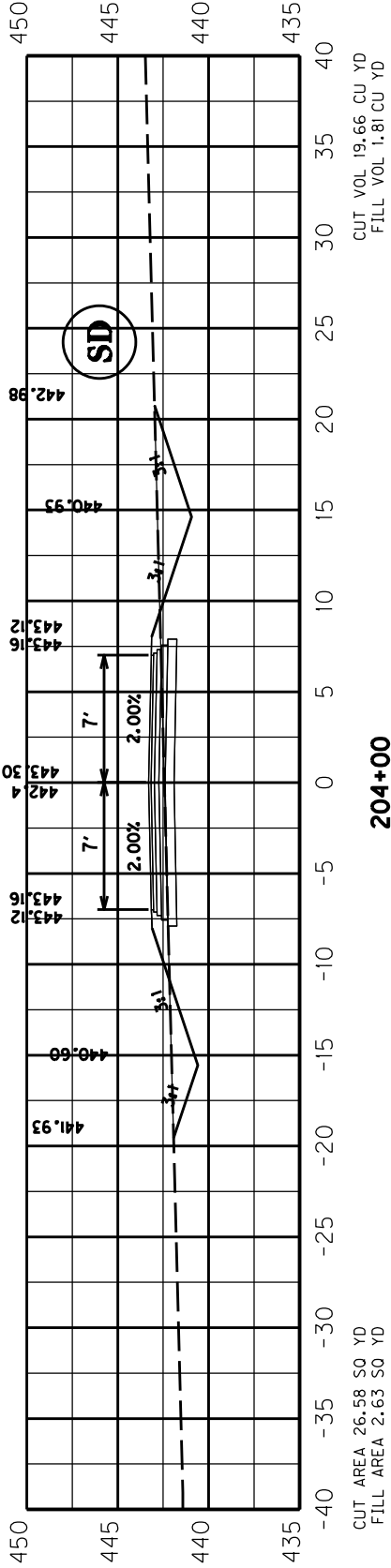
COMMONWEALTH OF KENTUCKY  
DEPARTMENT OF HIGHWAYS

X-SECTION SHEET - JAMES MADISON LOOP

ITEM NO. 2-9017.00  
SHEET NO. X52

COUNTY OF HOPKINS

0' 5' 10' 20'  
HOR. AND VER. SCALE: 1"=5'



**SD**

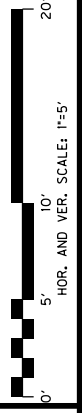
**203+50-LEFT LATERAL SUBGRADE DRAIN**



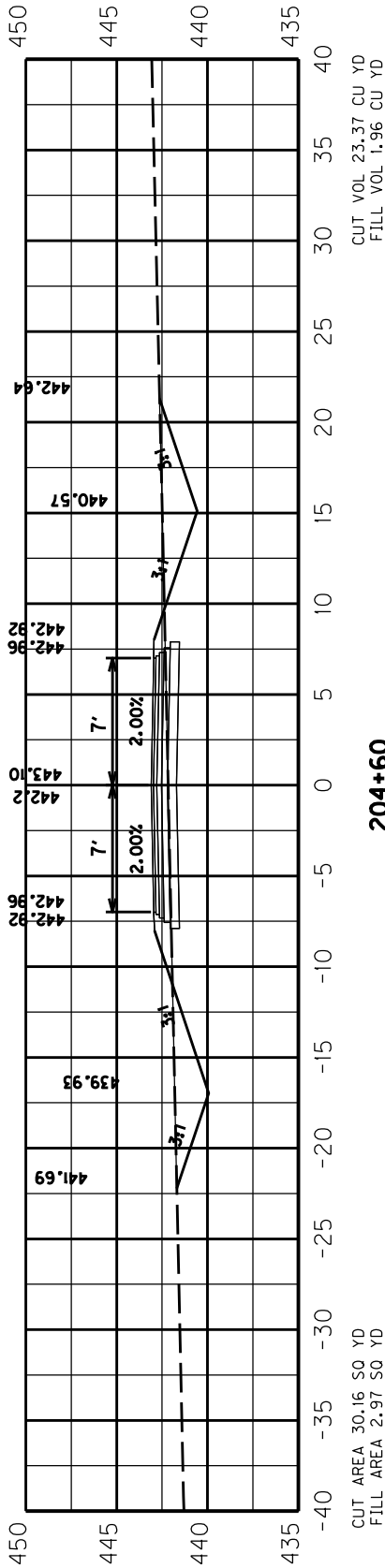
COMMONWEALTH OF KENTUCKY  
DEPARTMENT OF HIGHWAYS



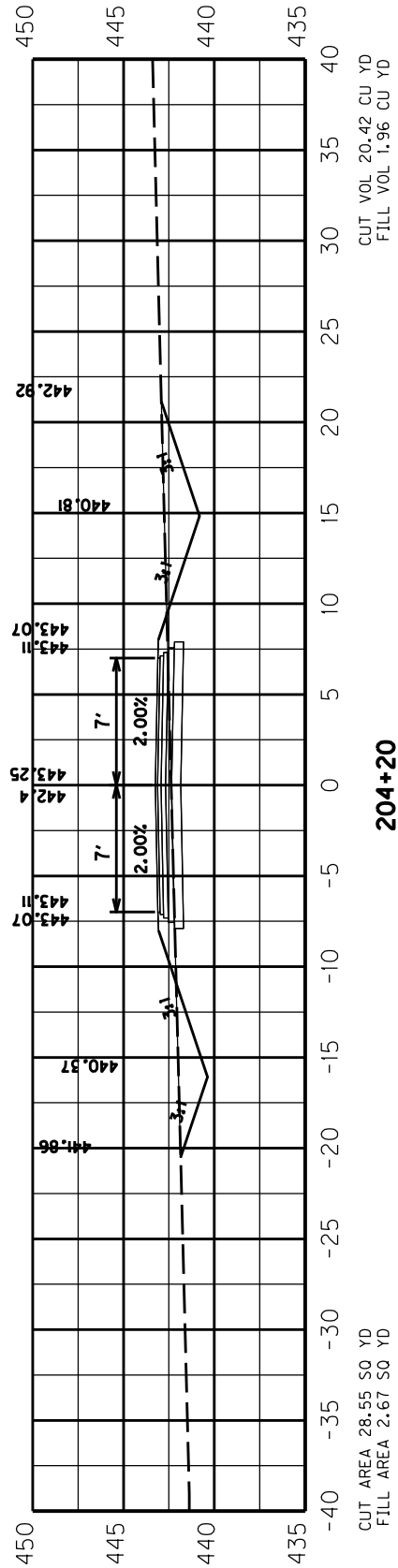
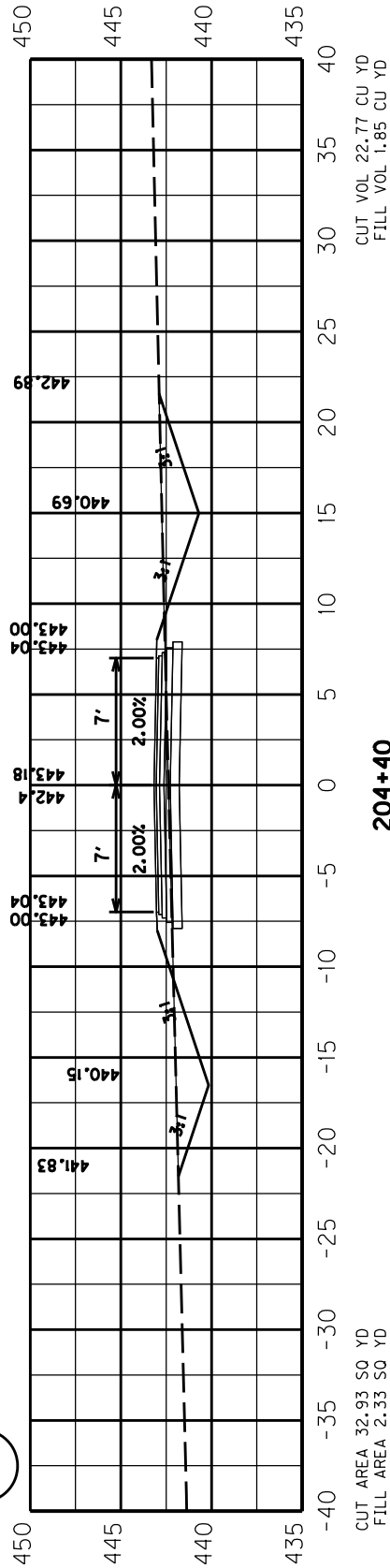
X-SECTION SHEET - JAMES MADISON LOOP



ITEM NO. 2-9017.00  
SHEET NO. X53  
COUNTY OF HOPKINS



**SD** 204+50-LEFT LATERAL SUBGRADE DRAIN



COMMONWEALTH OF KENTUCKY  
DEPARTMENT OF HIGHWAYS

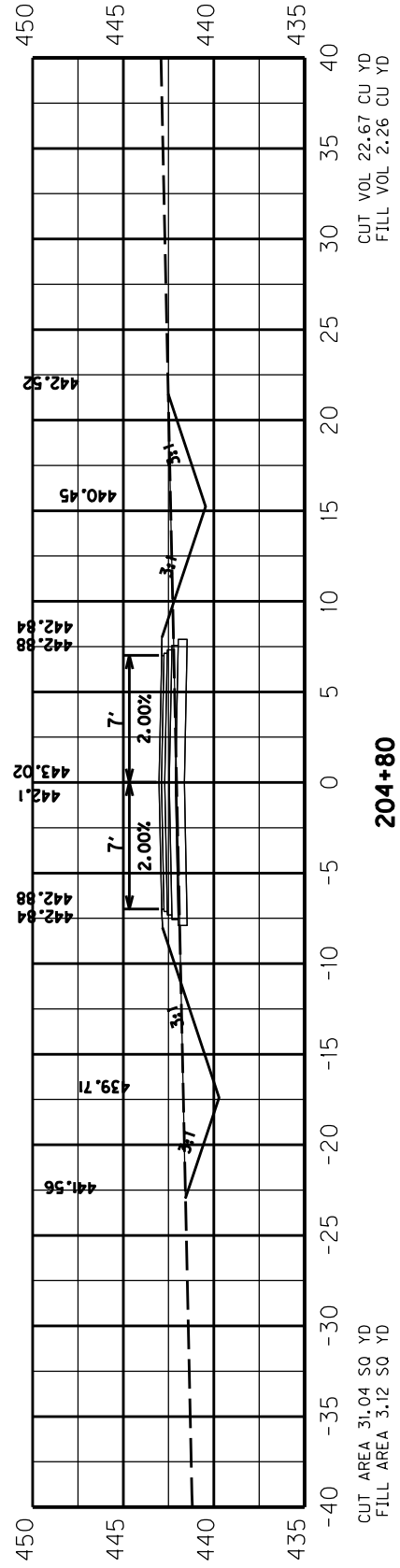
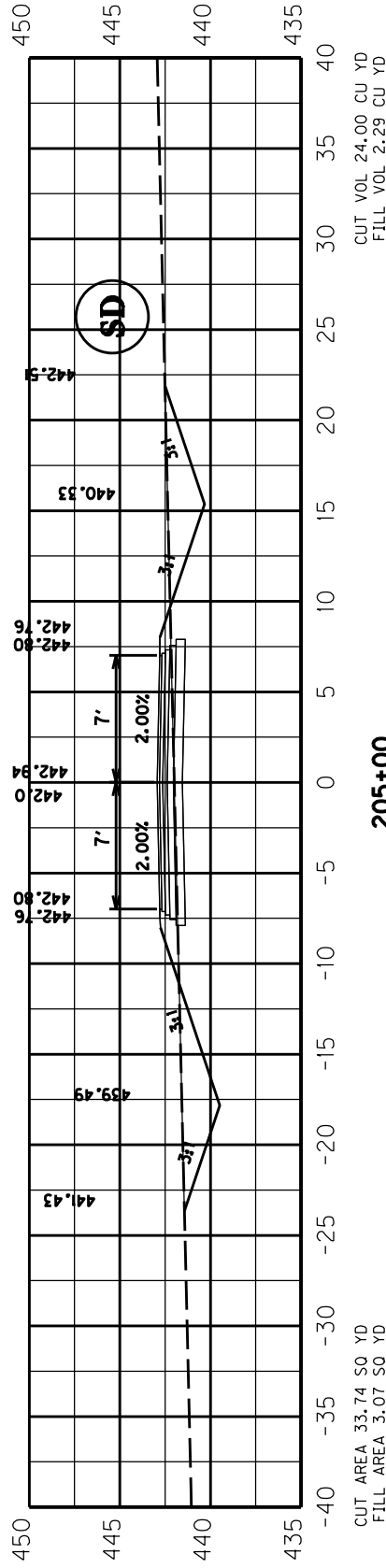
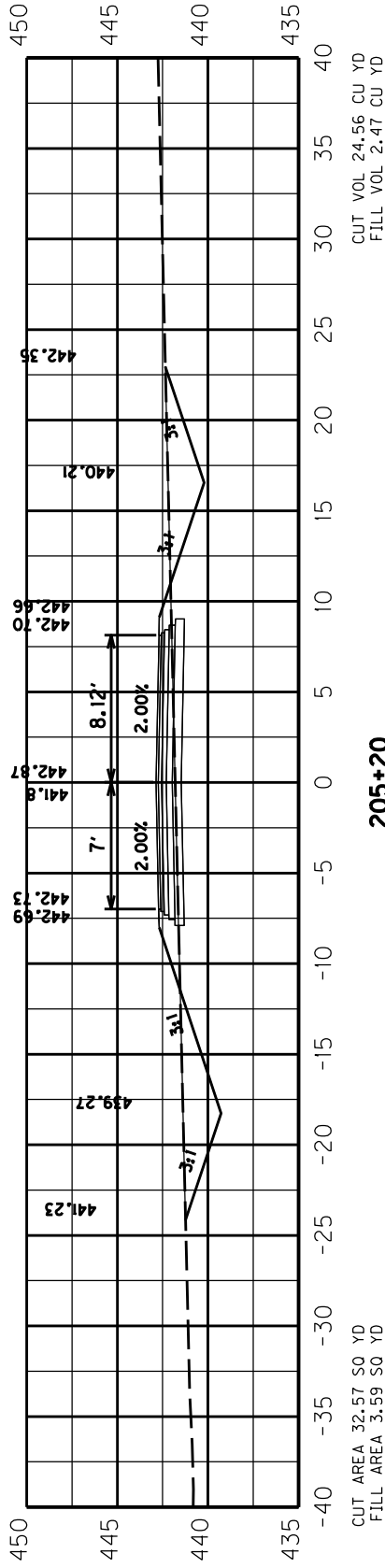
X-SECTION SHEET - JAMES MADISON LOOP

ITEM NO. 2-9017.00  
SHEET NO. 20

COUNTY OF HOPKINS  
X54

0' 5' 10' 20'  
HOR. AND VER. SCALE: 1"=5'

DATE: 08/30/2023



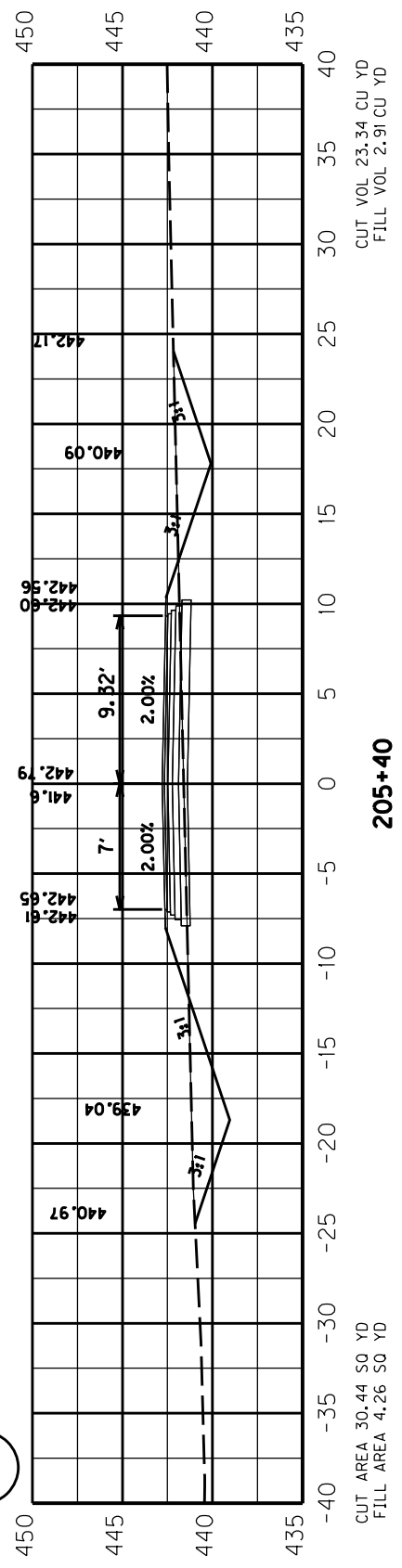
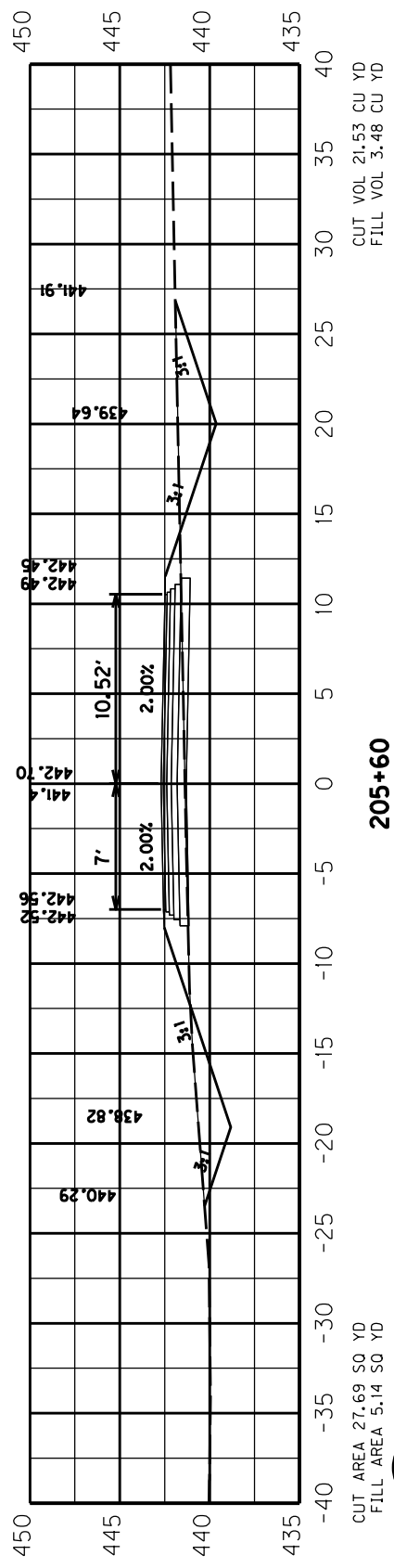
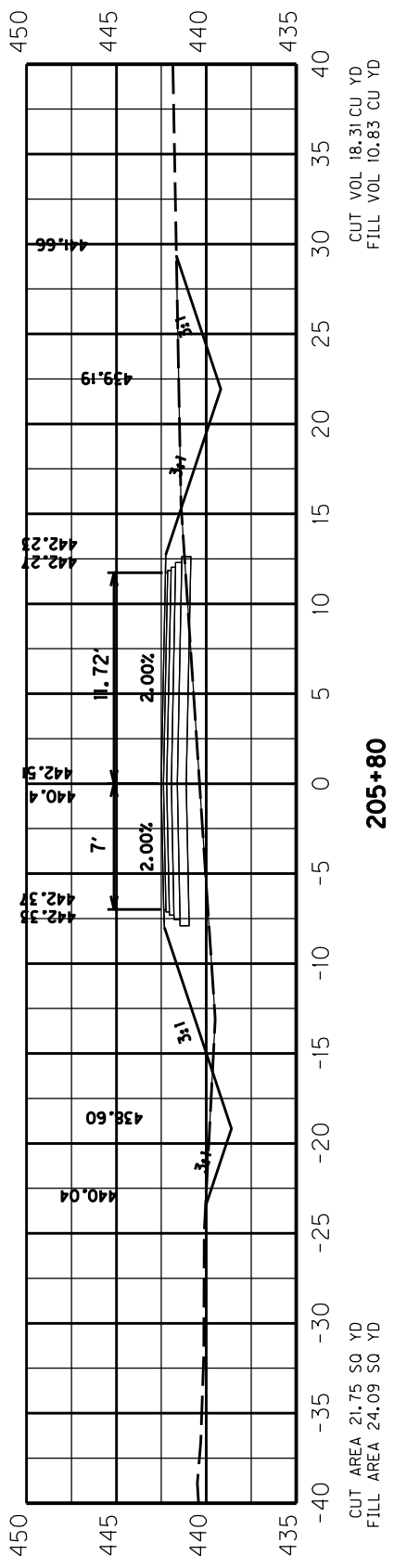
COMMONWEALTH OF KENTUCKY  
DEPARTMENT OF HIGHWAYS

X-SECTION SHEET - JAMES MADISON LOOP

ITEM NO. 2-9017.00  
SHEET NO. 20

COUNTY OF HOPKINS  
X55

0' 5' 10' 20'  
HOR. AND VER. SCALE: 1"=5'



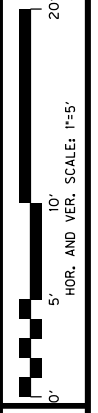
**SD** 205+50-LEFT LATERAL SUBGRADE DRAIN

COMMONWEALTH OF KENTUCKY  
DEPARTMENT OF HIGHWAYS

X-SECTION SHEET - JAMES MADISON LOOP

ITEM NO. 2-9017.00  
SHEET NO. X56

0' 5' 10' 20'  
HOR. AND VER. SCALE: 1"=5'



X-SECTION SHEET - JAMES MADISON LOOP

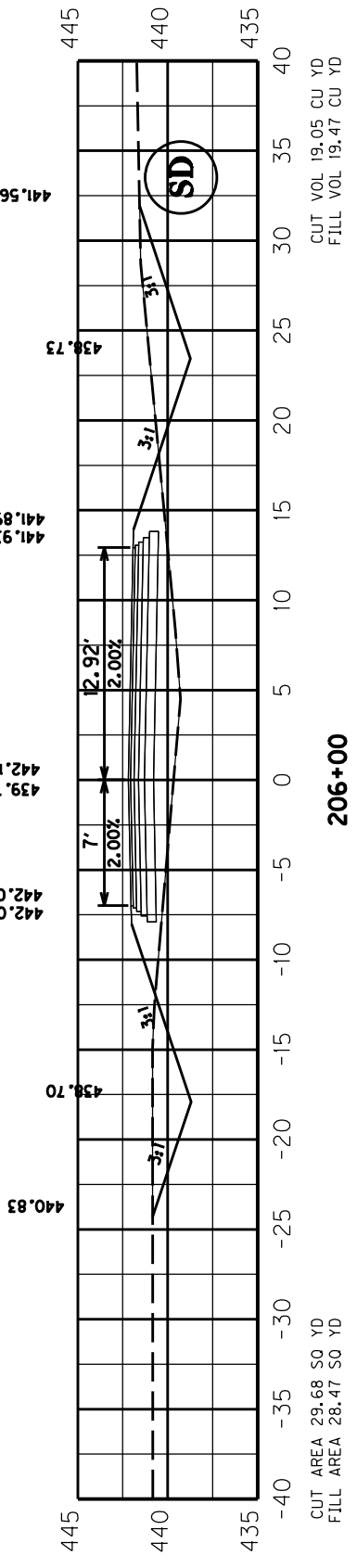
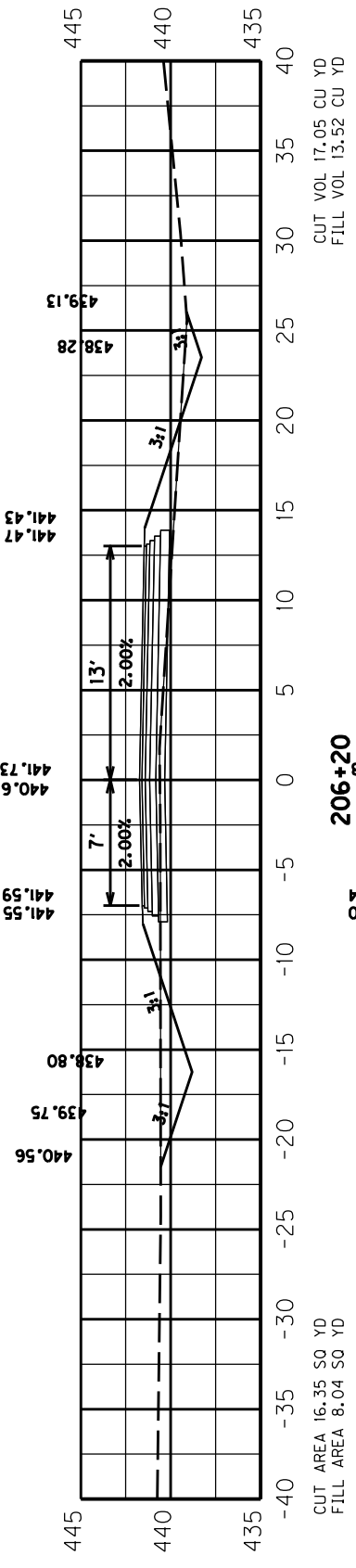
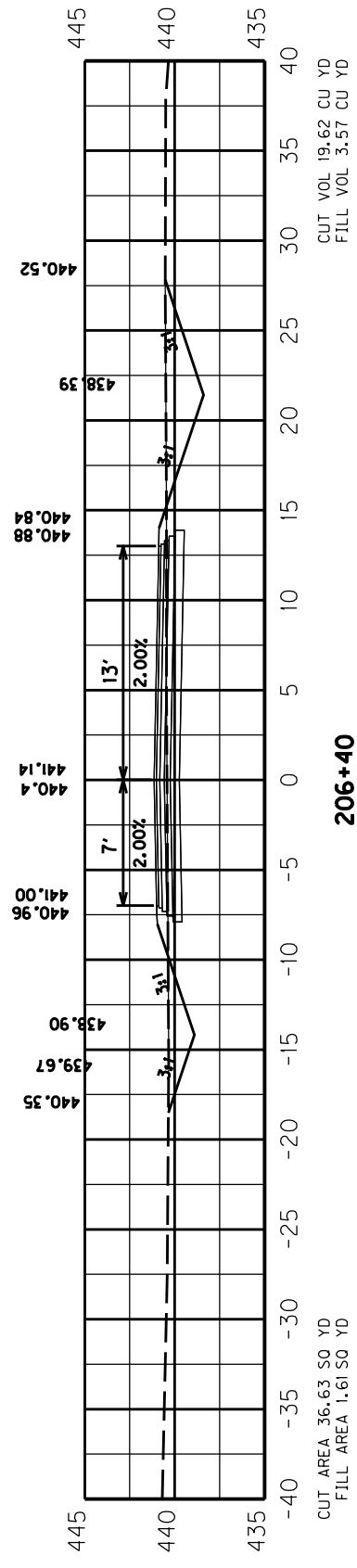


COMMONWEALTH OF KENTUCKY  
DEPARTMENT OF HIGHWAYS



DATE: 08/07/2023

**SD** 206+50-LEFT LATERAL SUBGRADE DRAIN





**PROPOSAL BID ITEMS**

241006

Page 1 of 2

Report Date 3/15/24

**Section: 0001 - PAVING**

LINE	BID CODE	ALT	DESCRIPTION	QUANTITY	UNIT	UNIT PRIC	FP	AMOUNT
0010	00003		CRUSHED STONE BASE	1,605.00	TON		\$	
0020	00078		CRUSHED AGGREGATE SIZE NO 2	555.00	TON		\$	
0030	00100		ASPHALT SEAL AGGREGATE	11.00	TON		\$	
0040	00103		ASPHALT SEAL COAT	1.50	TON		\$	
0050	00190		LEVELING & WEDGING PG64-22	30.00	TON		\$	
0060	00221		CL2 ASPH BASE 0.75D PG64-22	580.00	TON		\$	
0070	00301		CL2 ASPH SURF 0.38D PG64-22	350.00	TON		\$	
0080	24970EC		ASPHALT MATERIAL FOR TACK NON-TRACKING	2.12	TON		\$	

**Section: 0002 - ROADWAY**

LINE	BID CODE	ALT	DESCRIPTION	QUANTITY	UNIT	UNIT PRIC	FP	AMOUNT
0090	01876		STANDARD HEADER CURB MOD	36.10	LF		\$	
0100	02200		ROADWAY EXCAVATION	1,772.00	CUYD		\$	
0110	02545		CLEARING AND GRUBBING 1.5 ACRES	1.00	LS		\$	
0120	02562		TEMPORARY SIGNS	400.00	SQFT		\$	
0130	02602		FABRIC-GEOTEXTILE CLASS 1	2,295.00	SQYD		\$	
0140	02604		FABRIC-GEOTEXTILE CLASS 1A	2,696.00	SQYD		\$	
0150	02611		HANDRAIL-TYPE A-1	15.00	LF		\$	
0160	02650		MAINTAIN & CONTROL TRAFFIC	1.00	LS		\$	
0170	02671		PORTABLE CHANGEABLE MESSAGE SIGN	2.00	EACH		\$	
0180	02676		MOBILIZATION FOR MILL & TEXT	1.00	LS		\$	
0190	02677		ASPHALT PAVE MILLING & TEXTURING	115.00	TON		\$	
0200	02720		SIDEWALK-4 IN CONCRETE	1,111.00	SQYD		\$	
0210	02726		STAKING	1.00	LS		\$	
0220	06569		PAVE MARKING-THERMO CROSS-HATCH	241.00	SQFT		\$	
0230	06574		PAVE MARKING-THERMO CURV ARROW	2.00	EACH		\$	
0240	21289ED		LONGITUDINAL EDGE KEY	1,613.00	LF		\$	
0250	24401EC		DURABLE WATERBORNE MARKING-4 IN W	100.00	LF		\$	
0260	24402EC		DURABLE WATERBORNE MARKING-4 IN Y	2,464.00	LF		\$	

**Section: 0003 - DRAINAGE**

LINE	BID CODE	ALT	DESCRIPTION	QUANTITY	UNIT	UNIT PRIC	FP	AMOUNT
0081	00071		CRUSHED AGGREGATE SIZE NO 57 (ADDED 3-15-24)	10.00	TON		\$	
0082	01000		PERFORATED PIPE-4 IN (ADDED 3-15-24)	700.00	LF		\$	
0083	01010		NON-PERFORATED PIPE-4 IN (ADDED 3-15-24)	16.00	LF		\$	
0084	01024		PERF PIPE HEADWALL TY 2-4 IN (ADDED 3-15-24)	1.00	EACH		\$	
0085	01032		PERF PIPE HEADWALL TY 4-4 IN (ADDED 3-15-24)	1.00	EACH		\$	

**PROPOSAL BID ITEMS**

241006

Page 2 of 2

Report Date 3/15/24

LINE	BID CODE	ALT	DESCRIPTION	QUANTITY	UNIT	UNIT PRIC	FP	AMOUNT
0270	00440		ENTRANCE PIPE-15 IN	88.00	LF		\$	
0280	00461		CULVERT PIPE-15 IN	101.00	LF		\$	
0290	00462		CULVERT PIPE-18 IN	14.00	LF		\$	
0300	00466		CULVERT PIPE-30 IN	44.00	LF		\$	
0310	01204		PIPE CULVERT HEADWALL-18 IN	1.00	EACH		\$	
0320	01210		PIPE CULVERT HEADWALL-30 IN	2.00	EACH		\$	
0330	01310		REMOVE PIPE	32.00	LF		\$	
0340	01642		JUNCTION BOX-18 IN	1.00	EACH		\$	
0350	02220		FLOWABLE FILL	3.00	CUYD		\$	
0360	02625		REMOVE HEADWALL	2.00	EACH		\$	
0370	02701		TEMP SILT FENCE	1,458.00	LF		\$	
0380	02703		SILT TRAP TYPE A	2.00	EACH		\$	
0390	02704		SILT TRAP TYPE B	2.00	EACH		\$	
0400	02705		SILT TRAP TYPE C	2.00	EACH		\$	
0410	02706		CLEAN SILT TRAP TYPE A	2.00	EACH		\$	
0420	02707		CLEAN SILT TRAP TYPE B	2.00	EACH		\$	
0430	02708		CLEAN SILT TRAP TYPE C	2.00	EACH		\$	
0440	05950		EROSION CONTROL BLANKET	1,342.00	SQYD		\$	
0450	05952		TEMP MULCH	4,050.00	SQYD		\$	
0460	05953		TEMP SEEDING AND PROTECTION	3,050.00	SQYD		\$	
0470	05963		INITIAL FERTILIZER	.20	TON		\$	
0480	05964		MAINTENANCE FERTILIZER	.12	TON		\$	
0490	05985		SEEDING AND PROTECTION	1,375.00	SQYD		\$	
0500	05992		AGRICULTURAL LIMESTONE	1.50	TON		\$	
0510	26130ED		SLOPED AND MITERED HEADWALL-15 IN	4.00	EACH		\$	

**Section: 0004 - DEMOBILIZATION &/OR MOBILIZATION**

LINE	BID CODE	ALT	DESCRIPTION	QUANTITY	UNIT	UNIT PRIC	FP	AMOUNT
0520	02569		DEMOBILIZATION	1.00	LS		\$	